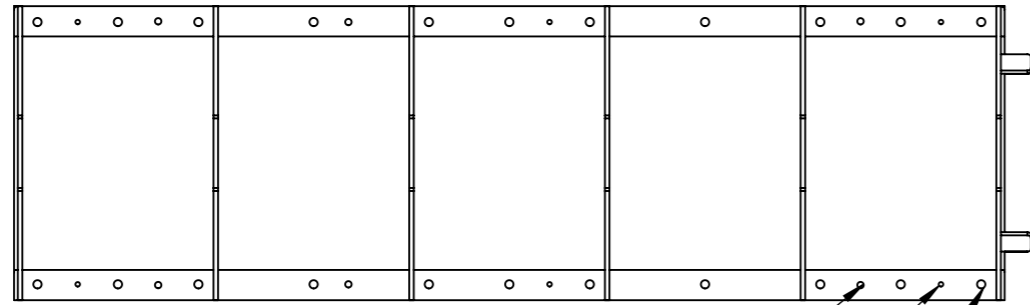
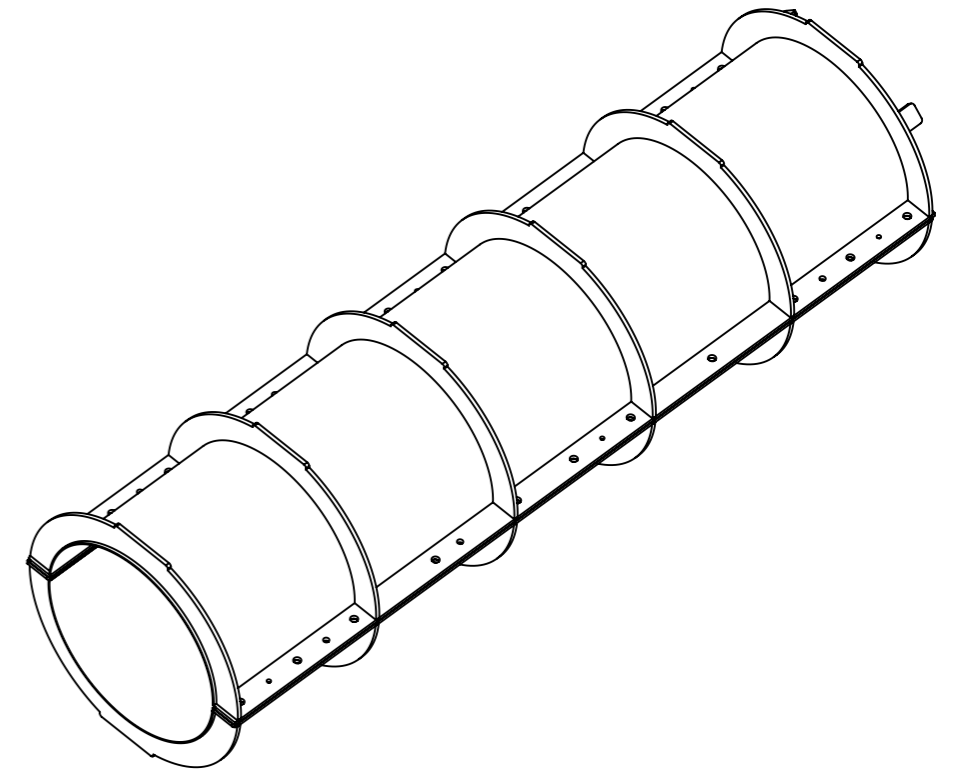
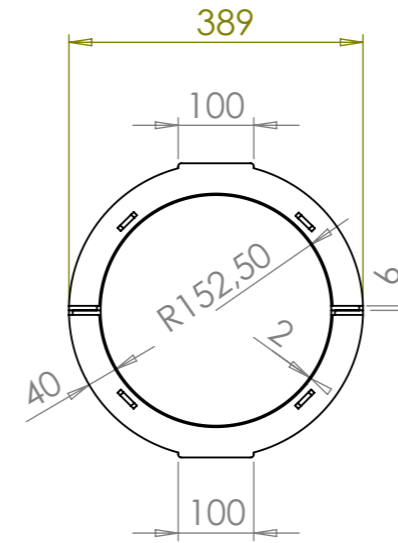
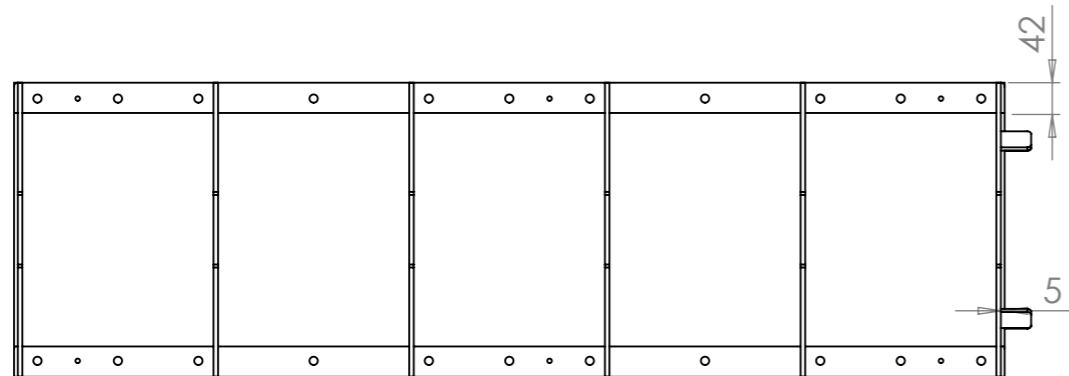
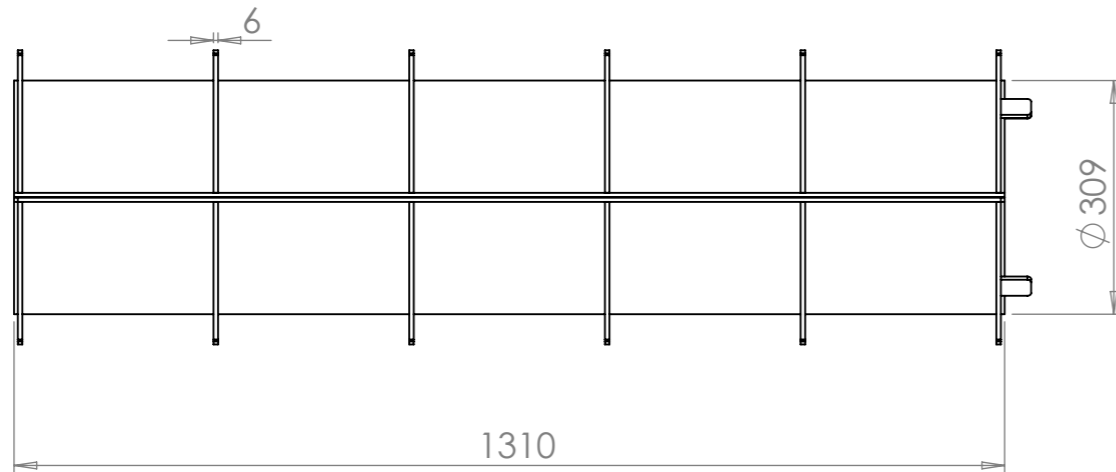

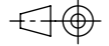


REVISIONS				
ZONE	REV.	DESCRIPTION	DATE	APPROVED



M10x6st vid demontering
 Styrhål 6x8mm
 Bulthål 22x11mm



Owner		Name Testrigg		
		Tolerance/Tolerans		Cad-system
		ISO 2768-1 m		SolidWorks
Customer/ Kund		Free from burrs/ Gradfria kanter		Sheet/Blad
Carboseal				1 (1)
Proj.	Scale/Skala	Drawn/ Ritad	Project No./ Projekt nr.	Drawing No./Ritn.nr.
	1:10	SMW	2023-11-02	AO2023-1775
		Appr./ Godk.	Date/ Datum	Issue/Utgåva
			2023-11-02	02